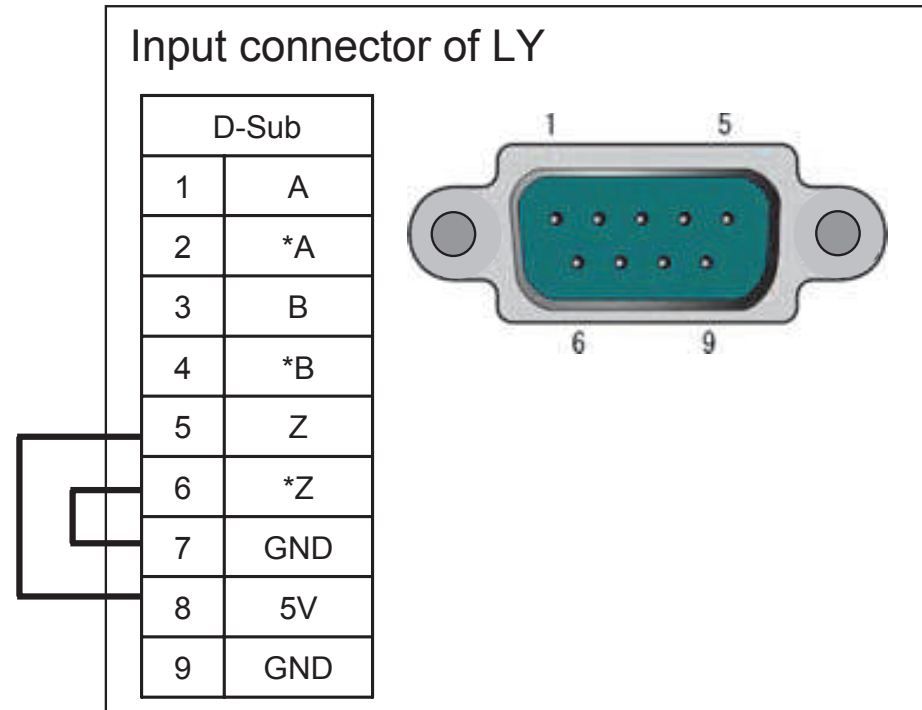


LY72



If scale or gauge without reference signal is used:

Then please make jumper on the input connector of the LY72:

Pin 5 → Pin8

Pin 6 → Pin7