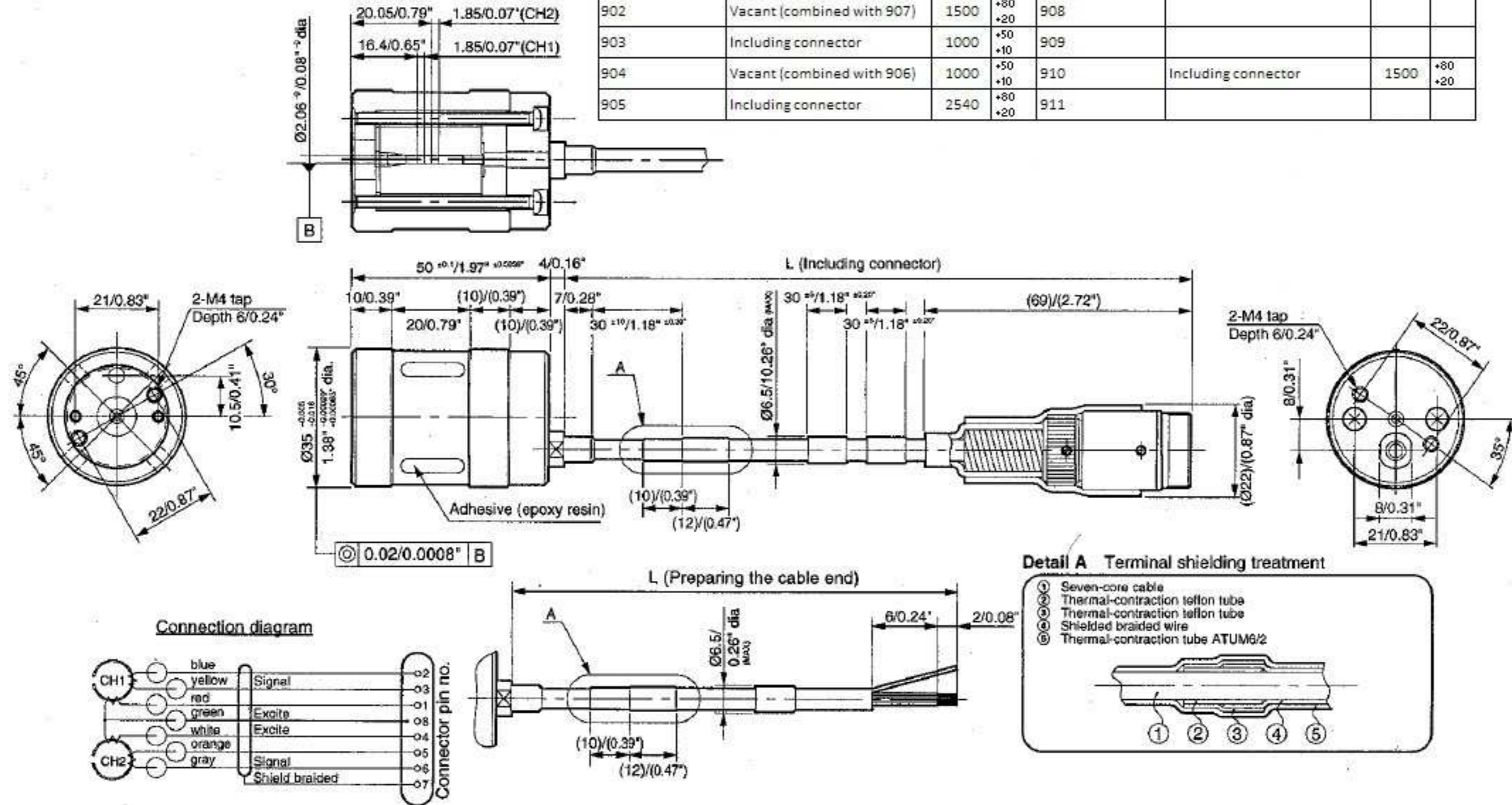


HA705 (Head)

Special connection model	Cable terminal processing, description	L measurement		Special connection model	Cable terminal processing, description	L measurement	
Standart	Preparing the cable end	500	+50 +10	906	Preparing the cable end	1000	+50 +10
901	Including connector	560	+50 +10	907	Preparing the cable end	1500	+80 +20
902	Vacant (combined with 907)	1500	+80 +20	908			
903	Including connector	1000	+50 +10	909			
904	Vacant (combined with 906)	1000	+50 +10	910	Including connector	1500	+80 +20
905	Including connector	2540	+80 +20	911			



Insulation resistance and insulation yield strength

There should be DC 250V over at least 50 m and a one-minute leakage current of 5 mA or less at AC250 V between the coils, coil and head unit, head unit and housing, an shield and head unit.

Note

The connection of the thermal-contraction tube ATUM6/2 for the cable does not have a designated location. (This is because the length varies depending on the contraction state.)