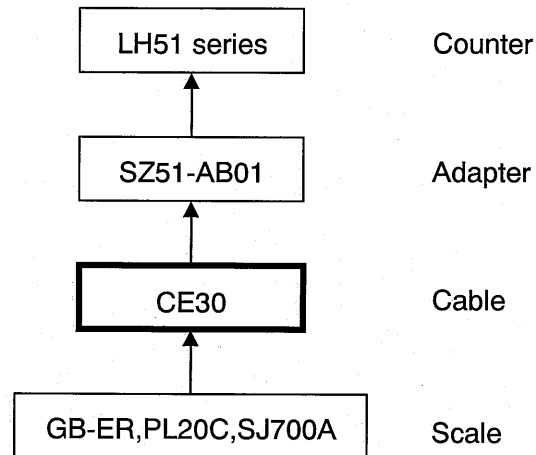


## 1. Model name

CE30

## 2. Outline

Connection cable for between GB-ER, PL20C, SJ700A and LH51 series.  
In order to connect with LH51 series, it is necessary to use SZ51-AB01.



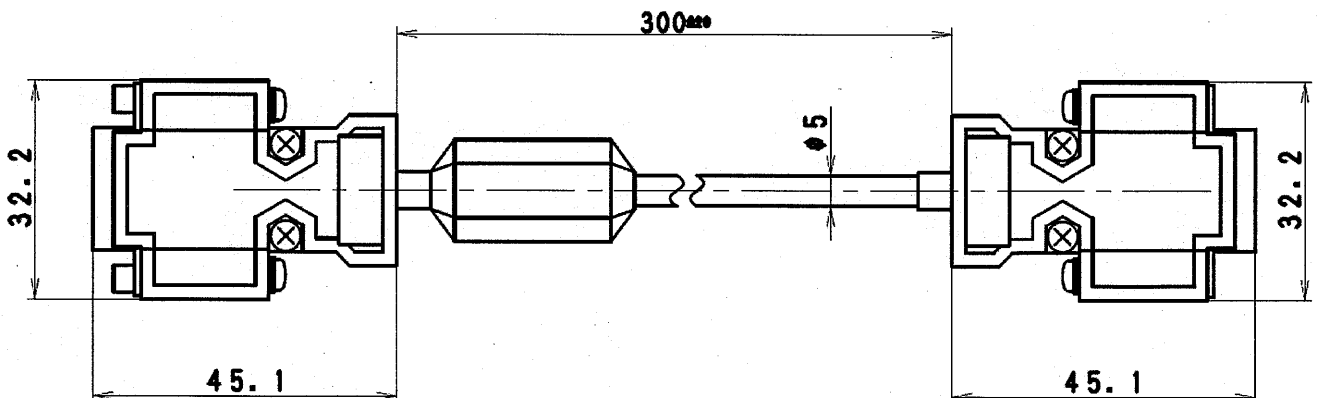
## 3. Configuration

Main unit :	CE30 cable	1 pcs.
Accessory :	ferritic core	1 pcs.

## 4. Specifications

Item	Specifications																																														
Cable length	0.3m																																														
Cable armor	No																																														
Wire connection	<table border="0" style="width: 100%; text-align: center;"> <tr> <td style="width: 50%;">D-sub9pin Female (Scale side)</td> <td style="width: 10%;"></td> <td style="width: 50%;">D-sub9pin Female (Counter side)</td> </tr> <tr> <td> <table border="1" style="width: 100%; text-align: center;"> <thead> <tr> <th>Pin No.</th> <th>Signal</th> </tr> </thead> <tbody> <tr><td>1</td><td>A</td></tr> <tr><td>2</td><td>*A</td></tr> <tr><td>3</td><td>B</td></tr> <tr><td>4</td><td>*B</td></tr> <tr><td>5</td><td>Z</td></tr> <tr><td>6</td><td>*Z</td></tr> <tr><td>7</td><td>0V</td></tr> <tr><td>8</td><td>+5V</td></tr> <tr><td>9</td><td>0V</td></tr> </tbody> </table> </td> <td style="vertical-align: middle;"> </td> <td> <table border="1" style="width: 100%; text-align: center;"> <thead> <tr> <th>Pin No.</th> <th>Signal</th> </tr> </thead> <tbody> <tr><td>1</td><td>*Z</td></tr> <tr><td>2</td><td>ALM</td></tr> <tr><td>3</td><td>*B</td></tr> <tr><td>4</td><td>0V</td></tr> <tr><td>5</td><td>*A</td></tr> <tr><td>6</td><td>Z</td></tr> <tr><td>7</td><td>B</td></tr> <tr><td>8</td><td>+5V</td></tr> <tr><td>9</td><td>A</td></tr> </tbody> </table> </td> </tr> </table>	D-sub9pin Female (Scale side)		D-sub9pin Female (Counter side)	<table border="1" style="width: 100%; text-align: center;"> <thead> <tr> <th>Pin No.</th> <th>Signal</th> </tr> </thead> <tbody> <tr><td>1</td><td>A</td></tr> <tr><td>2</td><td>*A</td></tr> <tr><td>3</td><td>B</td></tr> <tr><td>4</td><td>*B</td></tr> <tr><td>5</td><td>Z</td></tr> <tr><td>6</td><td>*Z</td></tr> <tr><td>7</td><td>0V</td></tr> <tr><td>8</td><td>+5V</td></tr> <tr><td>9</td><td>0V</td></tr> </tbody> </table>	Pin No.	Signal	1	A	2	*A	3	B	4	*B	5	Z	6	*Z	7	0V	8	+5V	9	0V		<table border="1" style="width: 100%; text-align: center;"> <thead> <tr> <th>Pin No.</th> <th>Signal</th> </tr> </thead> <tbody> <tr><td>1</td><td>*Z</td></tr> <tr><td>2</td><td>ALM</td></tr> <tr><td>3</td><td>*B</td></tr> <tr><td>4</td><td>0V</td></tr> <tr><td>5</td><td>*A</td></tr> <tr><td>6</td><td>Z</td></tr> <tr><td>7</td><td>B</td></tr> <tr><td>8</td><td>+5V</td></tr> <tr><td>9</td><td>A</td></tr> </tbody> </table>	Pin No.	Signal	1	*Z	2	ALM	3	*B	4	0V	5	*A	6	Z	7	B	8	+5V	9	A
	D-sub9pin Female (Scale side)		D-sub9pin Female (Counter side)																																												
<table border="1" style="width: 100%; text-align: center;"> <thead> <tr> <th>Pin No.</th> <th>Signal</th> </tr> </thead> <tbody> <tr><td>1</td><td>A</td></tr> <tr><td>2</td><td>*A</td></tr> <tr><td>3</td><td>B</td></tr> <tr><td>4</td><td>*B</td></tr> <tr><td>5</td><td>Z</td></tr> <tr><td>6</td><td>*Z</td></tr> <tr><td>7</td><td>0V</td></tr> <tr><td>8</td><td>+5V</td></tr> <tr><td>9</td><td>0V</td></tr> </tbody> </table>	Pin No.	Signal	1	A	2	*A	3	B	4	*B	5	Z	6	*Z	7	0V	8	+5V	9	0V		<table border="1" style="width: 100%; text-align: center;"> <thead> <tr> <th>Pin No.</th> <th>Signal</th> </tr> </thead> <tbody> <tr><td>1</td><td>*Z</td></tr> <tr><td>2</td><td>ALM</td></tr> <tr><td>3</td><td>*B</td></tr> <tr><td>4</td><td>0V</td></tr> <tr><td>5</td><td>*A</td></tr> <tr><td>6</td><td>Z</td></tr> <tr><td>7</td><td>B</td></tr> <tr><td>8</td><td>+5V</td></tr> <tr><td>9</td><td>A</td></tr> </tbody> </table>	Pin No.	Signal	1	*Z	2	ALM	3	*B	4	0V	5	*A	6	Z	7	B	8	+5V	9	A					
Pin No.	Signal																																														
1	A																																														
2	*A																																														
3	B																																														
4	*B																																														
5	Z																																														
6	*Z																																														
7	0V																																														
8	+5V																																														
9	0V																																														
Pin No.	Signal																																														
1	*Z																																														
2	ALM																																														
3	*B																																														
4	0V																																														
5	*A																																														
6	Z																																														
7	B																																														
8	+5V																																														
9	A																																														
Corresponding scale	GB-ER, PL20C, SJ700A ※Do not correspond to SJ300.																																														
Corresponding counter	LH51/LH52/LH54, LG10, LY51/LY52 It is necessary to use SZ51-AB01.																																														

## 5. Dimensions



Unit: mm