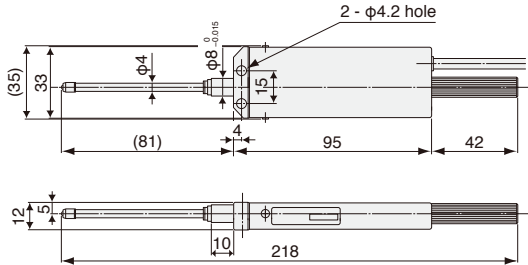


# DT DT32



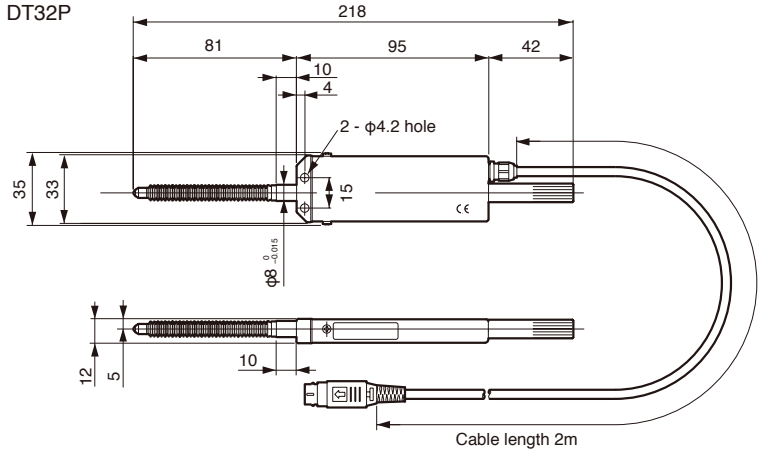
Resolution **5 $\mu$ m** Stem  **$\phi$ 8** Stroke **32mm**

DT32N

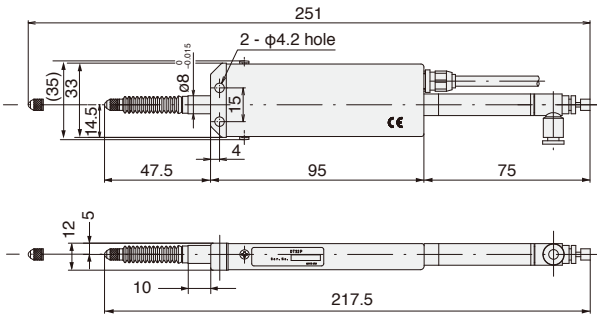


\* Upon installation, clamp the stem.

DT32P

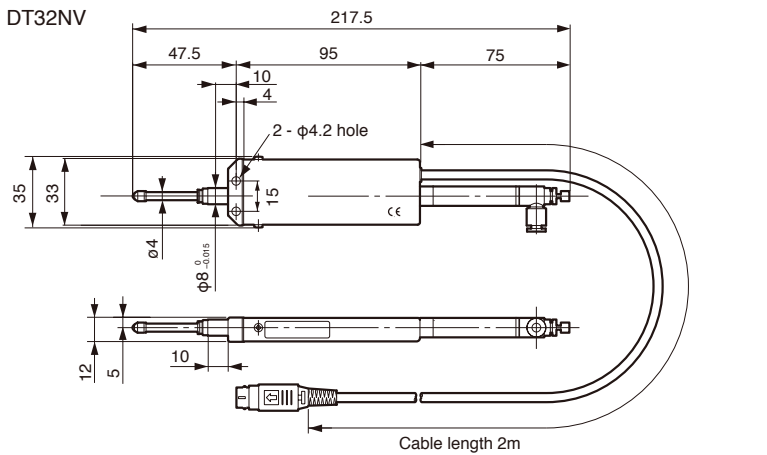


DT32PV

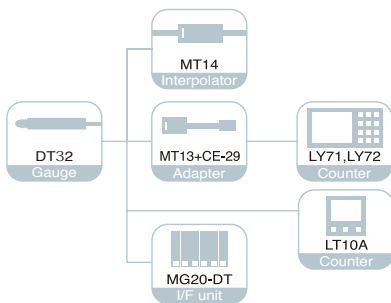


\* Upon installation, clamp the stem.

DT32NV



Unit: mm



## Specifications

Model	Standard model		Protected type model	
	DT32N	DT32NV	DT32P	DT32PV
Measuring range	32 mm			
Maximum resolution	5 $\mu$ m			
Accuracy (at 20°C/68°F)	10 $\mu$ m			
Measuring force (at 20°C/68°F)	*1 Upward: 1.1 $\pm$ 0.8 N Horizontal: 1.3 $\pm$ 0.8 N Downward: 1.5 $\pm$ 0.8 N		2.9 N or less in all directions	*2 9 N in all directions
Maximum response speed	Depending on unit to be connected			
Reference point	None			
Spindle drive system	Spring push-out	Pneumatic push	Spring push-out	Pneumatic push
Achieved number of strokes*3	5 million			
Protection grade*4	—		IP64 or equivalent	
Operating temperature	0 to 50 °C			
Storage temperature	-10 to 60 °C			
Mass*5	Approx. 120 g	Approx. 140 g	Approx. 120 g	Approx. 140 g
Output cable length	2 m			
Feeler	Provided with a steel ball tip, Mounting screw M2.5			
Accessories	Instruction Manual			

\*1 At input air pressure of 1.96  $\times$  10<sup>5</sup> Pa with speed controller open (DT32N) \*2 At input air pressure of 2.35  $\times$  10<sup>5</sup> Pa with speed controller open

\*3 Based on the Magnescale-specified evaluation method \*4 Excluding the connector \*5 Excluding cable section