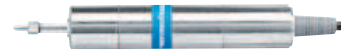


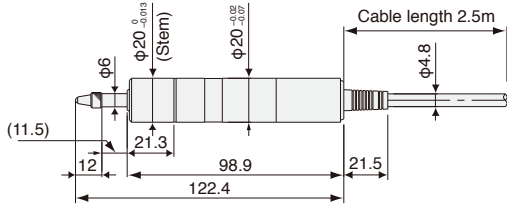
DK DK10/25

Resolution **0.5μm** Stem **φ20** Stroke **10mm** Stroke **25mm** Output **A/B phase**

* DK50NR5/PR5

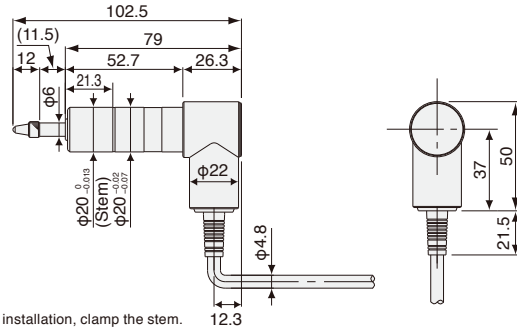


DK10NR5/PR5



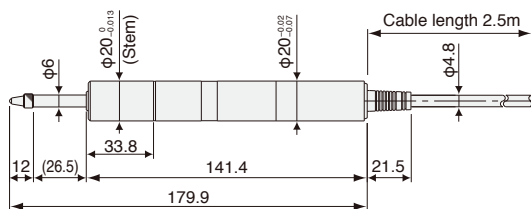
* Upon installation, clamp the stem.

DK10PLR5



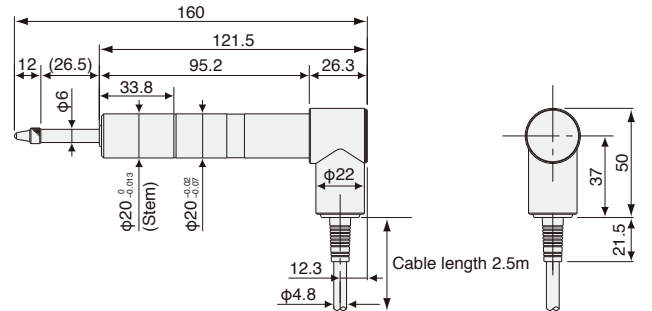
* Upon installation, clamp the stem.

DK25NR5/PR5



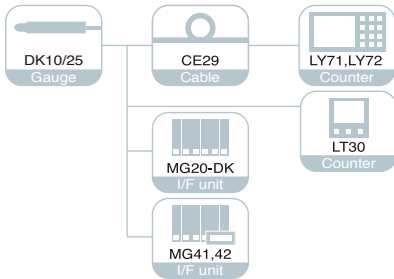
* Upon installation, clamp the stem.

DK25NLR5/PLR5



* Upon installation, clamp the stem.

Unit: mm



Specifications

Model	Standard model	Protected type model		Standard model	Protected type model	Standard model	Protected type model
	DK10NR5	DK10PR5	DK10PLR5	DK25NR5	DK25PR5	DK25NLR5	DK25PLR5
Measuring range	10 mm			25 mm			
Maximum resolution	0.5 μm						
Accuracy (at 20°C/68°F)	2 μm						
Measuring force (at 20°C/68°F)	Upward: 0.3±0.25 N Horizontal: 0.6±0.3 N Downward: 0.8±0.35 N	4.9 N or less		Upward: 0.4±0.3 N Horizontal: 0.7±0.35 N Downward: 1±0.4 N	4.9 N or less	Upward: 0.4±0.3 N Horizontal: 0.7±0.35 N Downward: 1±0.4 N	4.9 N or less
Maximum response speed	250 m/min						
Reference point	Position at spindle movement of 1 mm						
Reference-point response speed	Same as the noted maximum response speed						
Output	A/B/reference point		Voltage-differential line driver output (conforming to EIA-422)				
Spindle drive system	Spring push						
Protection grade ¹	IP50	IP64		IP50	IP64	IP50	IP64
Vibration resistance	10 to 2000 Hz 150 m/s ²						
Impact resistance	1500 m/s ² 11 ms						
Operating temperature	0 to 50 °C						
Storage temperature	-20 to 60 °C						
Power supply	5 VDC±5 %						
Power consumption	1 W						
Mass ²	Approx. 230 g			Approx. 300 g			
Output cable length	2.4 m						
Feeler	Carbide ball tip, Mounting screw M2.5						
Accessories	Instruction Manual, +P M4 × 5 screw (2pc)						

¹ Excluding the interpolation box and connector

² Excluding cable section and interpolation box