

Magnescale®

Flange adapter
DZ812F

1st Edition

Magnescale Co., Ltd.

Contents

	Page
1. Applied product	3
2. Outline	3
3. Parts structure	3
4. Applied measuring units	3
5. Mounting specifications	3
6. Operating cautions	4
7. Outside dimensions	6

1. Applied product

Digital gauge accessories : Flange adapter

DZ812F

2. Outline

The product is the adapter that is used for mounting DK812S series (without DK812SF models) to the designated location.

3. Parts structure

Parts name	Quantity
Flange	1
Flange nut	1
Tightening nut	1
Collar	1
O ring	2
Instruction manual	1

The Collar and O rings are already installed in the Flange, Flange nut.

4. Applied measuring units

Measuring unit	Applicable units	Note
DK812S*R series	OK	
DK812S*LR series	OK	
DK812S*VR series	OK	
DK805S series	NG	
DK830S series	NG	Use DZ830F
DK812S*F series	NG	

5. Mounting specifications

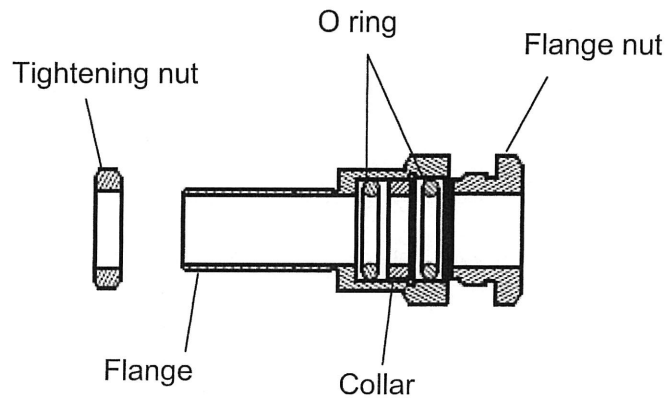
Mounting hole	φ10mm
Mounting plate thickness	5 to 15mm
Tightening force	2.9Nm (Recommended) 4.0Nm (Max)

Prepare following items.

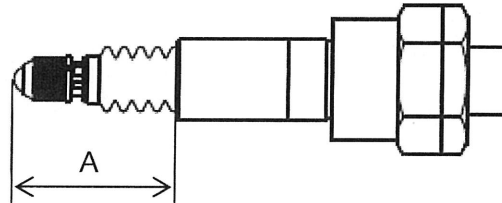
Wrench or spanner (Size 15mm, 12mm) 2pcs.

6. Operating cautions

The parts constructions are followings. If it is disassembled, please refer to below drawing to assemble it. Please be careful in order of O ring and collar. If turn is mistaken, sufficient holding power cannot be maintained.



Please observe fixed position of measuring unit.
Allowable fixed position is following.



Measuring unit	A dimension
DK812S*R series	16.5 to 25.9mm
DK812S*LR series	
DK812S*VR series	3.8 to 14.7mm

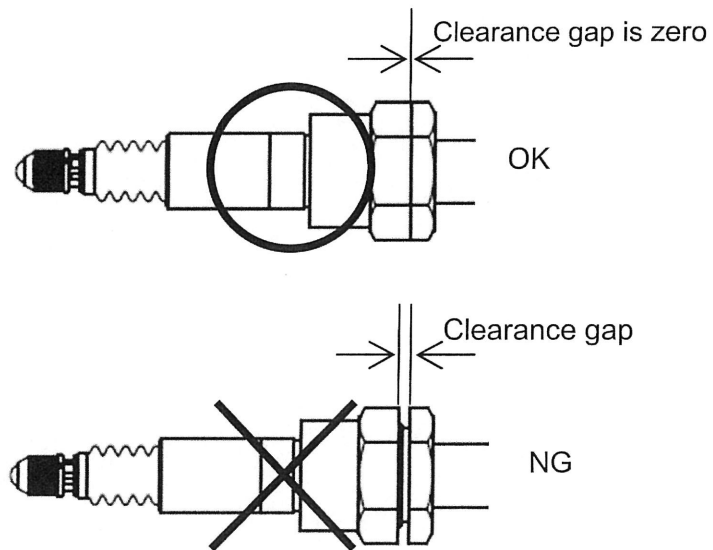
Please fix with the above-mentioned position. Otherwise, the measuring unit may shift.

Do not attach oil or coolant on the measuring unit before mounting.

Please wiping off the measuring unit if oil, coolant, etc. adhere.

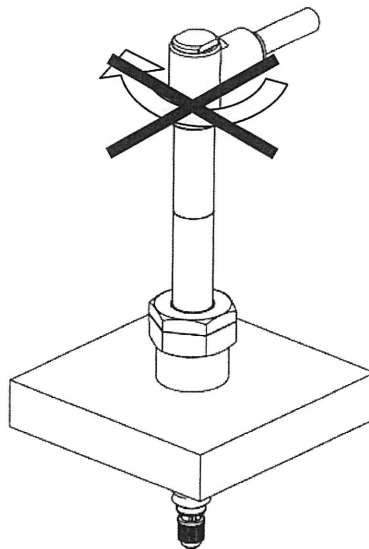
The measuring unit is inserted in the flange adapter, and the measuring unit and the flange adapter are fixed by flange nut using wrench.
At this time, please do not make a clearance gap between flange and flange nut as below.

If the flange nut is loose, the measuring unit may shift.



Be careful not to apply torque exceeding $4.0 \text{ N} \cdot \text{m}$ to the tightening nut.
Otherwise the flange and tightening nut may broken.

After fix the gauge on the mounting place, please do not apply force to rotation direction.



7. Outside dimensions

