

Magnescale

SPEED × PRECISION

Magnescale

SPEED × PRECISION



Tough Sensor

High Precision × High Operability = Tough Sensor

Magnescale Co., Ltd.

Shinagawa Intercity Tower A-18F, 2-15-1, Konan, Minato-ku, Tokyo 108-6018, JAPAN

Headquarters : 45 Suzukawa, Isehara-shi, Kanagawa 259-1146, JAPAN

Tokyo Office : Shinagawa Intercity Tower A-18F, 2-15-1, Konan, Minato-ku, Tokyo 108-6018, JAPAN

Nagoya Office : 2-35-16, Meieki, Nakamura-ku, Nagoya Aichi, 450-0002, JAPAN

Osaka Office : 2-14-6, Nishi-Nakajima, Yodogawa-ku, Osaka 532-0011, JAPAN

International Sales Department : 45 Suzukawa, Isehara-shi, Kanagawa 259-1146, JAPAN

Magnescale Americas Inc. : 5740 Warland Drive, Cypress, CA 90630, USA

Magnescale Europe GmbH : Antoniusstrasse 14, 73249 Wernau, Germany

TEL.+81(0)463-92-1011 FAX.+81(0)463-92-1012

TEL.+81(0)3-5460-3574 FAX.+81(0)3-5460-9614

TEL.+81(0)52-587-1823 FAX.+81(0)52-587-1848

TEL.+81(0)6-6305-3101 FAX.+81(0)6-6304-6586

TEL.+81(0)463-92-7971 FAX.+81(0)463-92-7978

TEL.+1(562)594-5060 FAX.+1(562)594-5061

TEL.+49(0) 7153 934 291 FAX.+49(0) 7153 934 299

<http://www.magnescale.com>

The contents of this literature are as of Apr. 2013

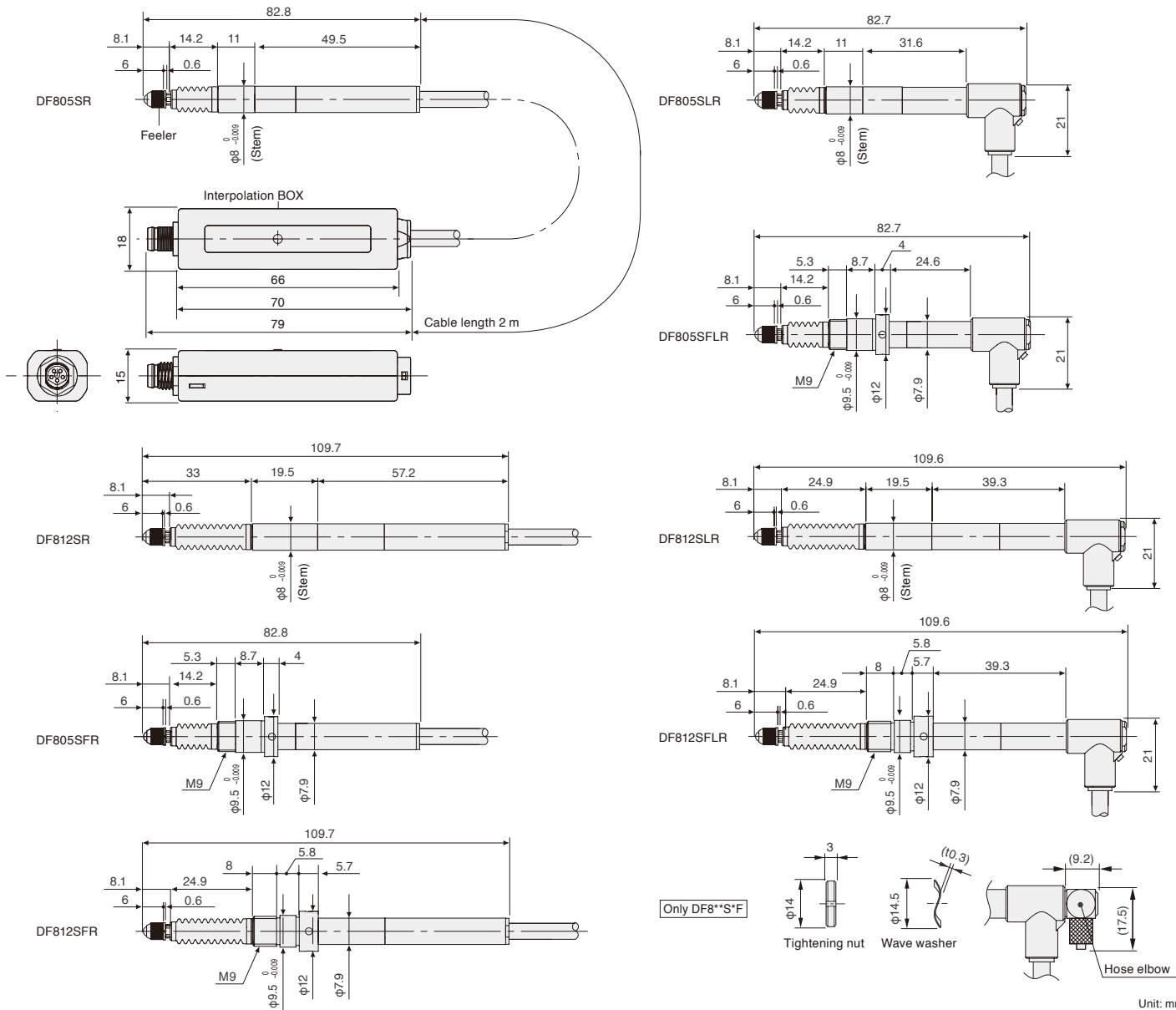
This catalog is printed with soy ink.

MGS-TS-1304-EN-C

Magnescale Co., Ltd.

Digital Gauge DF805/DF812 Series

Main Specifications								
Model name	DF805SR	DF805SFR	DF805SLR	DF805SFLR	DF812SR	DF812SFR	DF812SLR	DF812SFLR
Measuring range	5mm				12mm			
Resolution	0.1μm				1μm			
Accuracy (at 20°C/68°F)	Upward : 0.35±0.25N Horizontal : 0.40±0.25N Downward : 0.45±0.25N				Upward : 0.4±0.3N Horizontal : 0.5±0.3N Downward : 0.6±0.3N			
Measuring force (at 20°C/68°F)	80m/min				80m/min			
Maximum response speed	at 1±0.5 mm position of spindle movement							
Reference point	80m/min							
Reference point response speed	Dedicated serial communication protocol							
Output	Spring push							
Spindle driving	60 million strokes (under specific test conditions defined by Magnescale Co., Ltd.)							
Achieved number of strokes	IP66	IP54 When a ø4 mm tube is connected : IP67		IP66	IP54 When a ø4 mm tube is connected : IP67			
Protective structure	100m/s ² (20-2000Hz)							
Impact resistance	1000m/s ² (11ms)							
Vibration resistance	0-55°C							
Operating temperature	-20-60°C							
Storage temperature	+10 to +30V DC including ripple (p-p) 10%							
Power supply voltage	1.2 W or less							
Power consumption	Approx. 30 g (not including cable parts and interpolation box)							
Mass	2m							
Probe part cable length	Max. 20 m (Use the optional CE34.)							
Output cable length	Provided with a carbide ball tip Mount screw M2.5							
Feeler	Instruction Manual, 1 wrench, 1 hose elbow (only DF8**S*L*)							
Accessories	Tightening nut, clamp wrench, wave washer, stop pin (1 each) (only DF8**S*F*)							

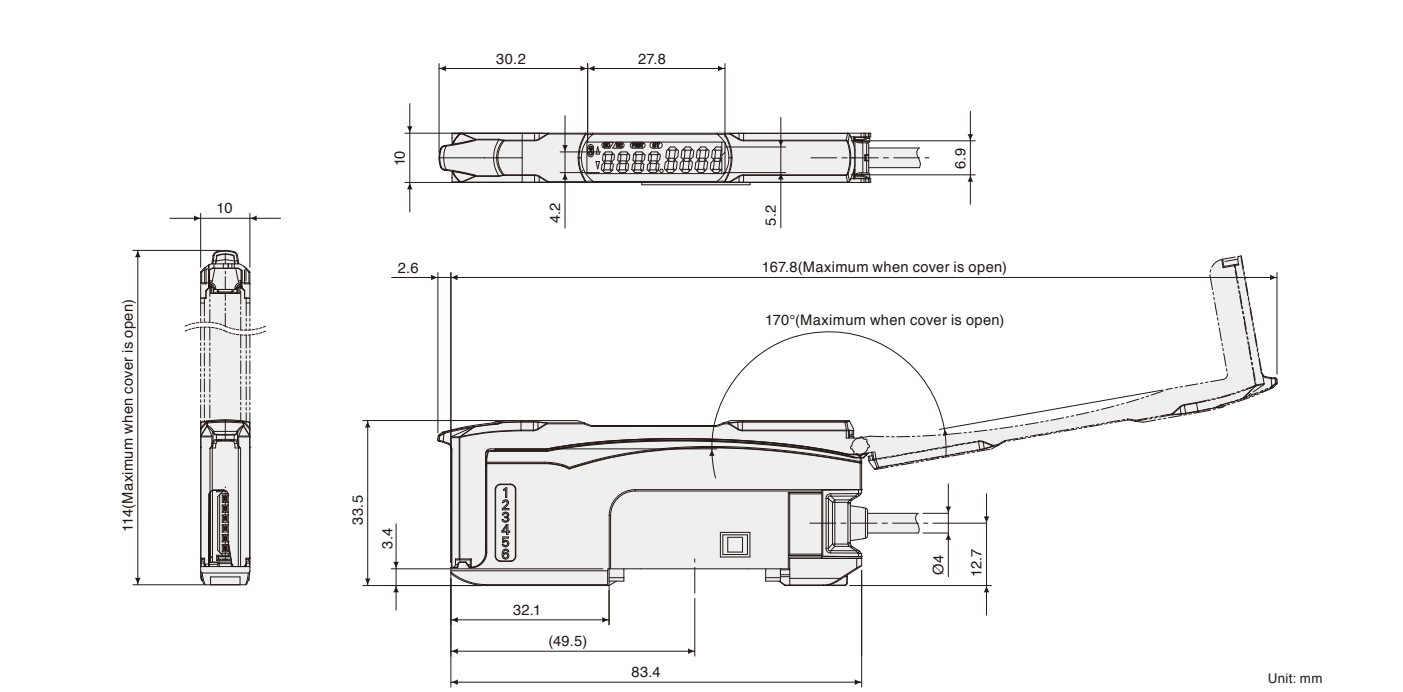


Digital Tolerance Indicator MF10 Series

Main Specifications		
Model name	MF10-P1	MF10-P2
Type	I/O circuit	NPN output (current sink)
I/O	Number of Go/NoGo judgment outputs	2
	Number of external inputs ⁴	1
Minimum display unit	0.1μm	
Power supply voltage	+10 to +30V DC including ripple (p-p) 10%	
Power consumption ¹	Power supply voltage 24 V normal mode: 2040 mW or less (Power consumption 85 mA or less) Power-saving ECO mode: 1920 mW or less (Current consumption 80 mA or less)	
Go/NoGo judgment output ²	Load voltage: DC 30 V or less, open collector output type Load current: the total of the two outputs must be 100 mA or less (Residual voltage and load current less than 10 mA: 1 V or less) Load current 10 mA to 100 mA: 2 V or less Off-state current: 0.1 mA or less	
Protection circuit	Power supply reverse connection protection, output short-circuit protection and output reverse connection protection	
Number of banks	4 (Can be set 4 kinds of judgment value)	
Ambient temperature range ³	Operating: When lining up 1 or 2 digital tolerance indicators: 0°C to +55°C Storage: -10°C to +60°C (with no icing or condensation)	
Ambient humidity range	Operating and storage: 35% to 85% RH (with no condensation)	
Mass (main unit)	Approx. 75 g	
Cable length	2m	

¹ At a power supply voltage of 10 to 30 V, Normal mode: 2250 mW or less (power supply voltage 30 V: power consumption 75 mA or less / power supply voltage 10 V: power consumption 155 mA or less), power-saving ECO mode: 2100 mW or less (power supply voltage 30 V: power consumption 70 mA or less / power supply voltage 10 V: power consumption 135 mA or less) ² When lining up 4 or more digital tolerance indicators, the 2 output total is 20 mA or less. ³ When used in a row, the operating ambient temperature range is 0°C to +50°C for 3 to 10 units, 0°C to +45°C for 11 to 16 units, and 0°C to +40°C for 17 to 30 units. ⁴ The input details are as follows.

	Contact input (relay or switch)	Non-contact input (transistor)	Input time
NPN Type	ON: Connection to 0 V (Outflow current: 1 mA or less) OFF: Open or short-circuited to Vcc	ON: 1.5 V or less (Outflow current: 1 mA or less) OFF: Vcc-1.5V to Vcc (Leakage current: 0.1 mA or less)	ON: 9ms or more OFF: 9ms or more
PNP Type	ON: Connection to Vcc (Sink current: 3 mA or less) OFF: Open or short-circuited to 0V	ON: Vcc-1.5V to Vcc (Sink current: 3 mA or less) OFF: 1.5V or less (Leakage current: 0.1 mA or less)	



Cable CE34-

Main Specifications						
Model Name	CE34-005	CE34-02	CE34-05	CE34-10	CE34-15	CE34-20
Cable length	0.5m	2.0m	5.0m	10m	15m	20m

