

SONY®

PH500

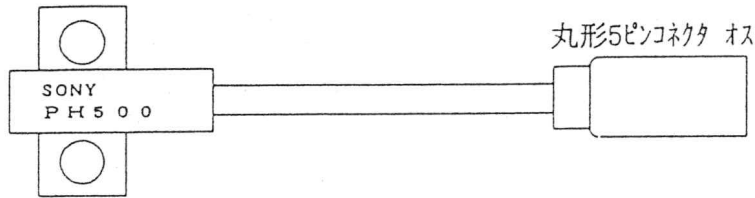
仕 様 書

第 1 版
94年 3月発行

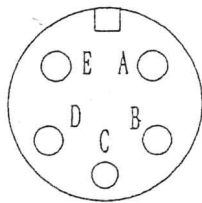
SD-G-2308

ソニーマグネスケール株式会社

1. 外観



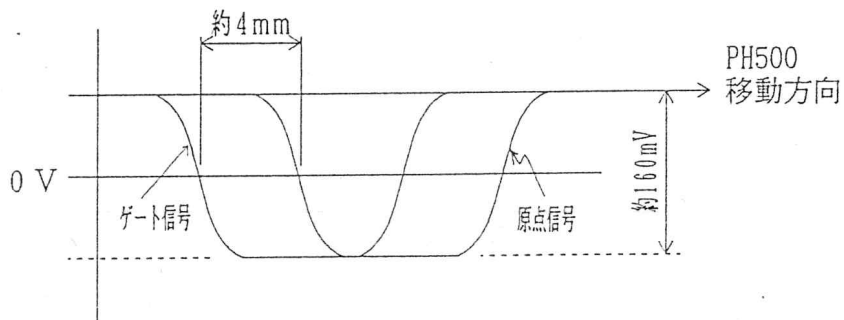
2. ピン配置



No	線色	信号名	入出力
A	赤 <i>rot</i>	+5V	入力 <i>In</i>
B	白 <i>Weiss</i>	原点信号 <i>zero point signal</i>	出力 <i>out</i>
C	黒 <i>Schwarz</i>	-5V	入力 <i>In</i>
D	緑 <i>Grün</i>	ゲート信号 <i>Signal Gate</i>	出力 <i>out</i>
E		シールド <i>Schirm</i>	

3. 出力特性 (例) (発磁体:PG104, 発磁体とのクリアランス 1mm以下)

出力電圧



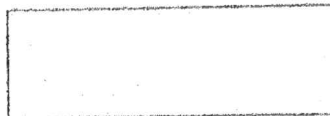
4. 仕様

繰り返し精度 (注1)	$\pm 1 \mu\text{m}$
被検出体 (発磁体)	PG104
被検出体とのクリアランス	1mm以下
使用温度範囲	$-10 \sim 50^\circ\text{C}$

注1:クリアランス0.5mm のとき温度変動 $\pm 1.2^\circ\text{C}$ 以下 電圧変動 $\pm 1\%$ 以下
クリアランス変動 $3 \mu\text{m}$ 以下 速度変動10mm/s以下 での値

SONY®

Information
for
External Absolute Zero Point



Sony Magnescale Inc.

Installation Instructions

* Install PG-104 so that it may move in the X-axis direction. (See Fig.1)

* Fix PH-500 onto the mounting base with adhesive as well as with the mounting screws.

* Relative position of PG-104 and PH-500 (See Fig.2)

Clearance between PG-104 and PH-500:
Less than 1.0mm

Discrepancy in height direction
(Z-axis direction):
Less than 1.5mm

Relative inclination:
Within 3° in each direction

* Fix the dust wipers so that their tips (made of rubber) may touch PG-104 by 1mm or so. (See Fig.3)

* When installing PG-104 and PH-500, use the accessory setscrews or any brass setscrews.

* If the magneswitch (PG-104 and PH-500) is exposed to sludge or oil, protect it with a dust cover.

* Power cable or large current source located near PH-500 and its cable may cause errors. Route the PH-500 cable separately from them or use individual metal duct for it.

When the installation is finished, connect the PH-500 connector to the absolute zero point input connector (REFERENCE) of the display unit.

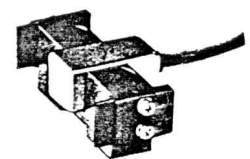
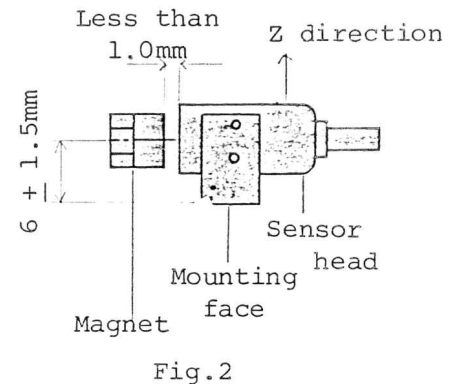
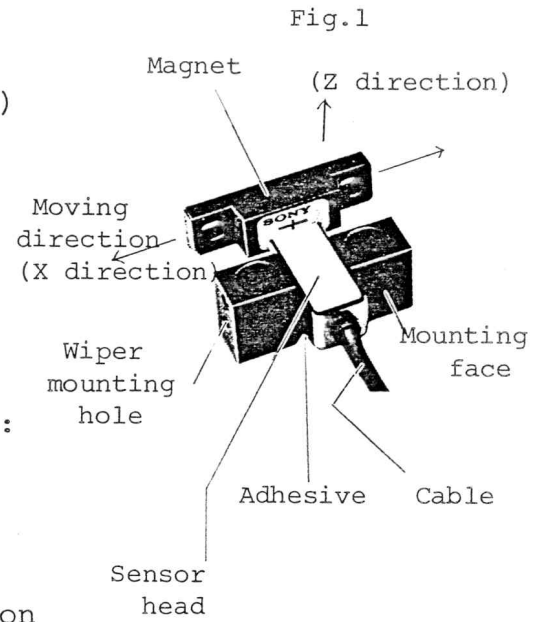


Fig.3 Sensor Head with Wiper

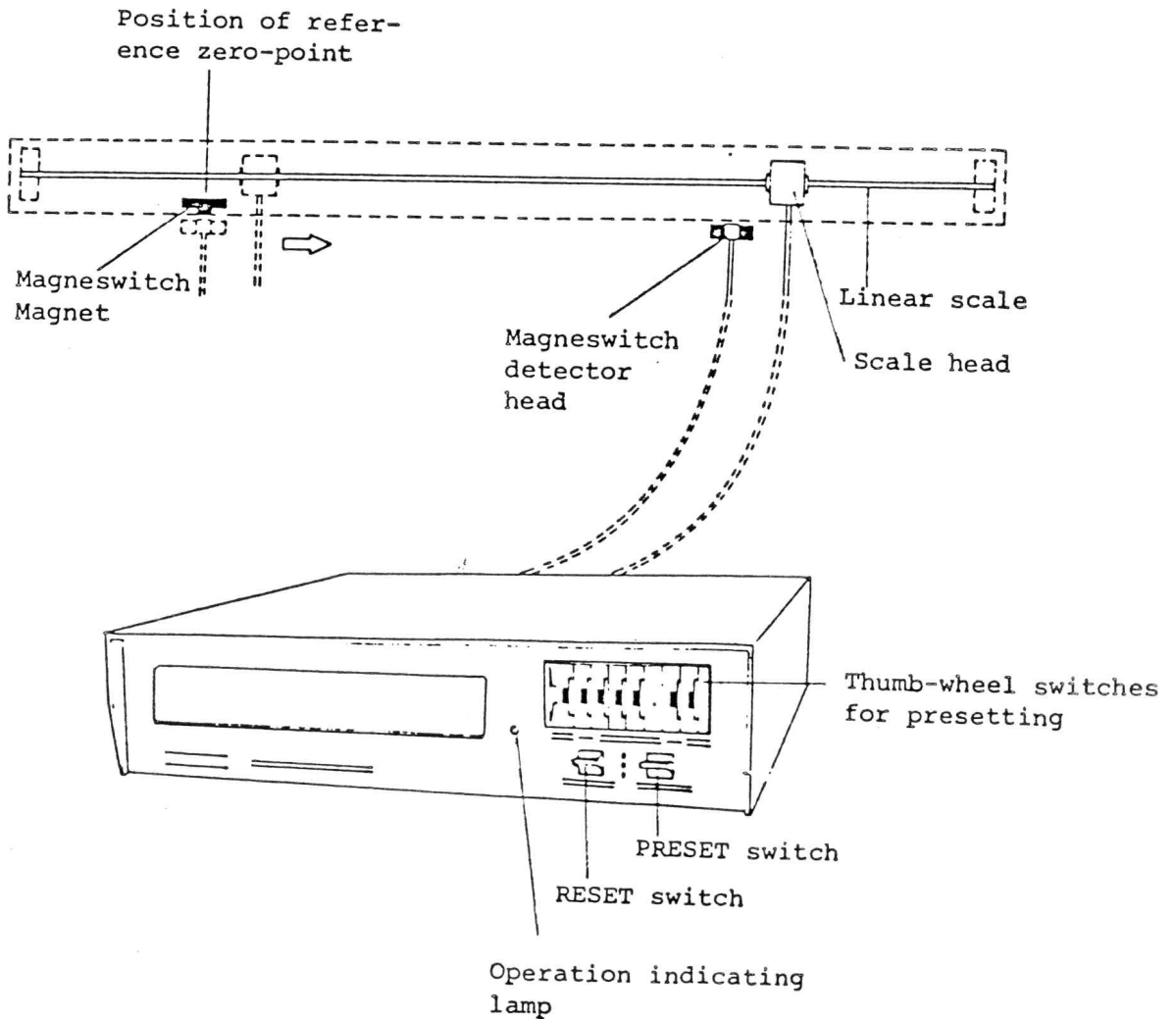
ESTABLISHMENT OF EXTERNAL ABSOLUTE ZERO POINT

[How to Establish Absolute Zero Point Externally]

See Fig.1 and Installation Instructions

Install Magnet PG-104 onto the machine table and Sensor Head PH-500 onto the machine body. PG-104 can be installed onto the case of the scale (since the scale is installed onto the machine table).

Fig.1



Outline Drawing of PG-104

