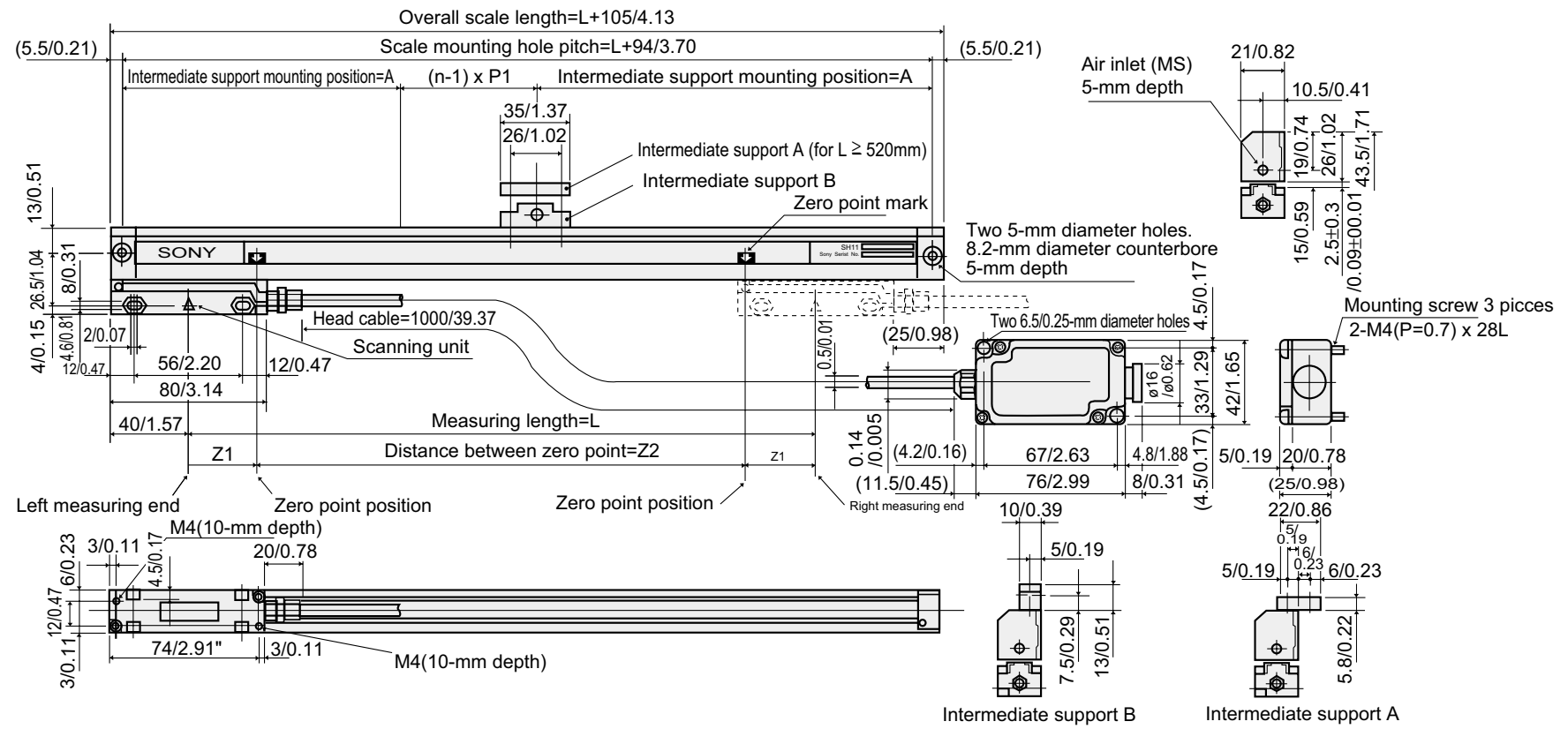


# Dimensions



SH11-		007	012	017	022	027	032	037	042	047	052	057	062	067	072	077	082	092	102	114	124
Measuring length	L (mm)	70	120	170	220	270	320	370	420	470	520	570	620	670	720	770	820	920	1020	1140	1240
Intermediate support	n										1	1	1	1	1	1	1	1	2	2	2
Intermediate support	A (mm)										307	332	357	382	407	432	457	507	380	420	450
Scale mounting hole pitch	P1 (mm)																		354	394	434
Zero point position	Z1 (mm)	35	35	35	35	35	35	35	35	35	35	35	35	35	35	35	35	35	35	45	45
	Z2 (mm)		50	100	150	200	250	300	350	400	450	500	550	600	650	700	750	850	950	1050	1150

Unit : mm/inch