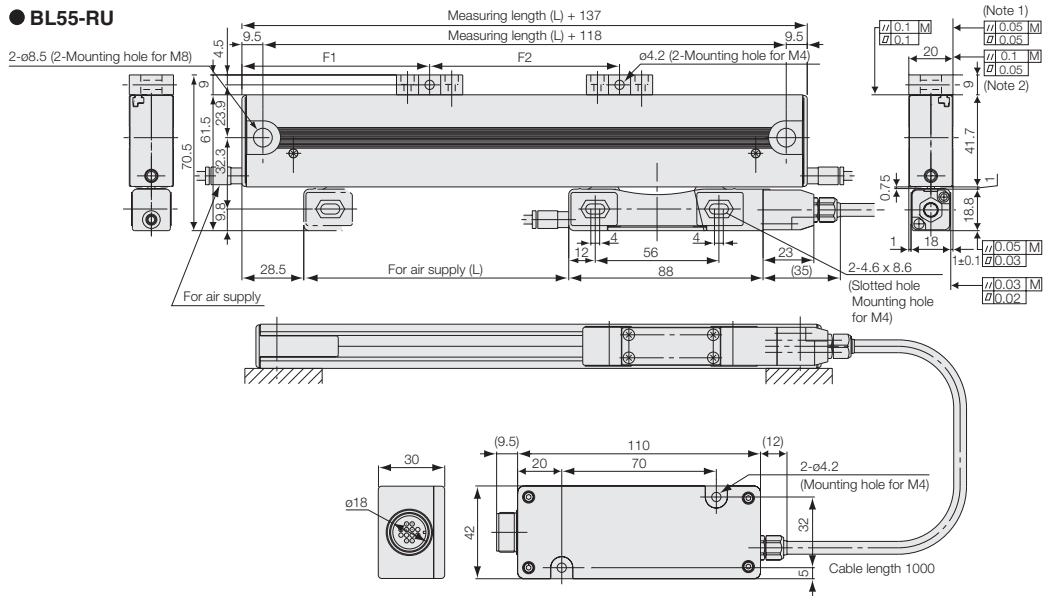


External Dimensions

● BL55-RU



Measuring length(L)mm	F1 mm	F2 mm
70	—	—
120	—	—
170	—	—
220	—	—
270	—	—
320	—	—
370	—	—
420	—	—
470	—	—
520	329	—
570	354	—
620	379	—
720	429	—
770	454	—
820	479	—
870	504	—
920	529	—
1020	386	385

Unit: mm

Note 1: Parallelism is 0.05mm or less when Measuring length is 120mm or less. Note 2: Parallelism is 0.1mm or less when Measuring length is 170mm or less. Note 3: M indicates the machine guide (machine movement).