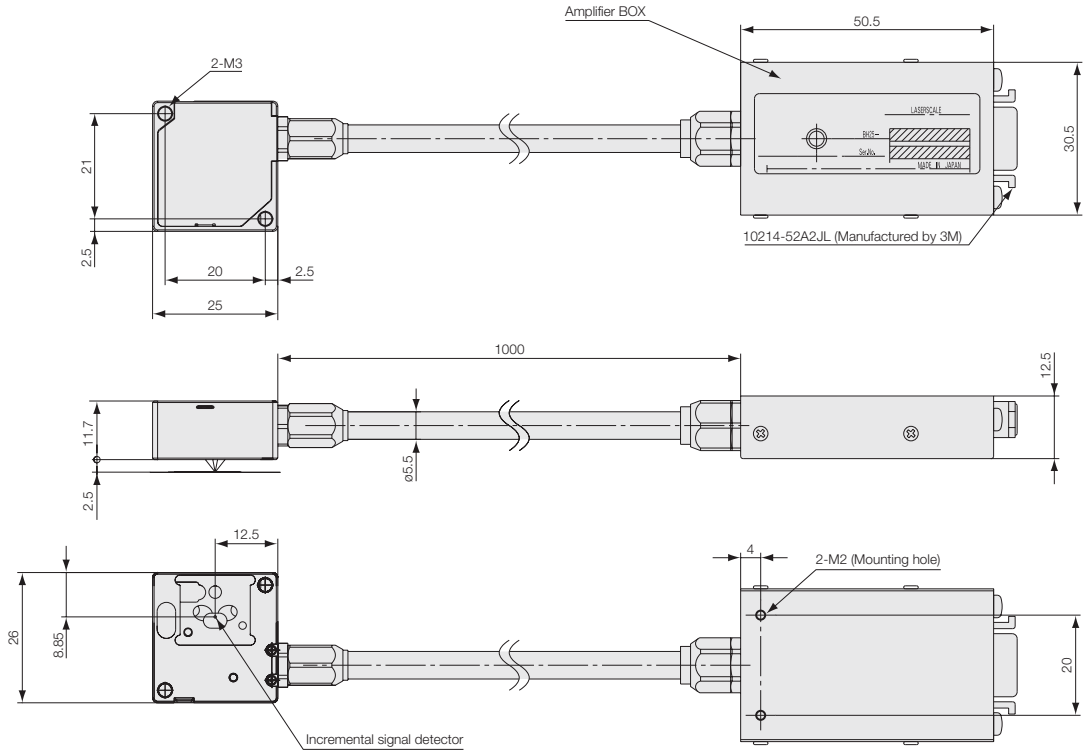


External Dimensions

● BH20-NED



Unit: mm

Main specifications

Detection head

Model	BH20-RED	BH20-NED
Detection system	Diffraction grating scanning system	
Light source	Semiconductor laser with power of 6mW or less and wavelength of 790nm	
Reference point	Single reference point; single -direction detection	None
Grating pitch	1.0 μ m	
Signal pitch	250 μ m	
Reference point	With reference point	None
Direction of starting point detection	For one	None
Scale	Linear scale : 7 to 18mm (scale : Ni-Co or Si) Rotary scale : Radius 6.016, 9.454, 12.032, 27.073, 36.097mm (rotary scale Ni-Co)	
Maximum response speed	1,500mm/s(When using analog output),700mm/s(When using interpolator BD96)	
Operating temperature range	+10°C to +30°C no condensation. Avoid operating under high humidity.	
Storage temperature range	+0°C to +50°C no condensation. Avoid operating under high humidity.	

Film scale (BE10)

Detection radius	12.032mm	27.073mm	36.097mm	41.723mm
Detection track	Max.radius	13.532mm	28.573mm	37.597mm
	Min.radius	10.532mm	25.573mm	34.597mm
External form	Internal diameter	7.7mm	19.77mm	29.00mm
	External diameter	13.45mm	28.57mm	37.60mm
Scale diameter	20 ϕ mm	59 ϕ mm	77 ϕ mm	87 ϕ mm
Number of output pulse of one rotation	302400	680400	907200	1048576
Maximum response speed *	1190 min ⁻¹	529 min ⁻¹	396 min ⁻¹	343min ⁻¹

* When using cable length 1m and Analog output. However, the Max.response speed is limited depending on the cable length.

