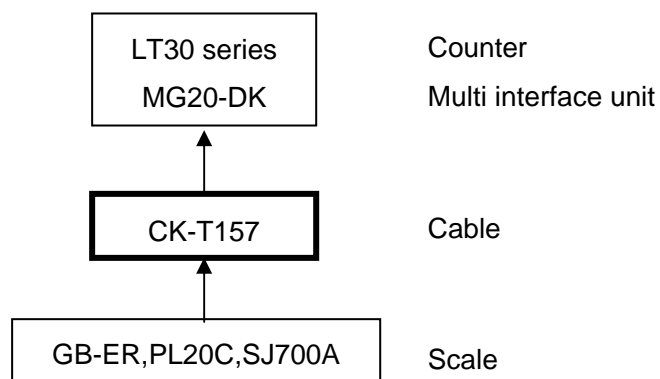


## 1. Model name

CK-T157

## 2. Outline

Connection cable for between GB-ER, PL20C, SJ700A and LT30 series, MG20-DK.



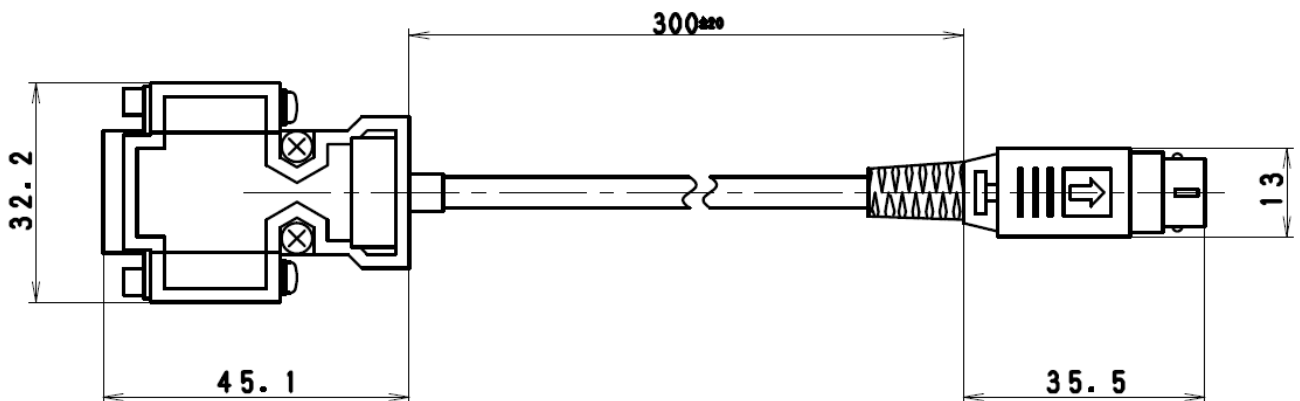
## 3. Configuration

Main unit: Cable 1pcs.

## 4. Specifications

Item	Specifications																																												
Cable length	0.3m																																												
Cable armor	No																																												
Wire connection	<table border="0" style="width: 100%; text-align: center;"> <tr> <td colspan="2">D-sub9pin Female (Scale side)</td> <td colspan="2">Mini-Din8pin Male (LT30 side)</td> </tr> <tr> <td style="border: 1px solid black; padding: 5px;">Pin No.</td> <td style="border: 1px solid black; padding: 5px;">Signal</td> <td style="border: 1px solid black; padding: 5px;">Pin No.</td> <td style="border: 1px solid black; padding: 5px;">Signal</td> </tr> <tr> <td style="border: 1px solid black; padding: 5px;">1</td> <td style="border: 1px solid black; padding: 5px;">A</td> <td style="border: 1px solid black; padding: 5px;">1</td> <td style="border: 1px solid black; padding: 5px;">+5V</td> </tr> <tr> <td style="border: 1px solid black; padding: 5px;">2</td> <td style="border: 1px solid black; padding: 5px;">*A</td> <td style="border: 1px solid black; padding: 5px;">2</td> <td style="border: 1px solid black; padding: 5px;">0V</td> </tr> <tr> <td style="border: 1px solid black; padding: 5px;">3</td> <td style="border: 1px solid black; padding: 5px;">B</td> <td style="border: 1px solid black; padding: 5px;">3</td> <td style="border: 1px solid black; padding: 5px;">A</td> </tr> <tr> <td style="border: 1px solid black; padding: 5px;">4</td> <td style="border: 1px solid black; padding: 5px;">*B</td> <td style="border: 1px solid black; padding: 5px;">4</td> <td style="border: 1px solid black; padding: 5px;">*A</td> </tr> <tr> <td style="border: 1px solid black; padding: 5px;">5</td> <td style="border: 1px solid black; padding: 5px;">Z</td> <td style="border: 1px solid black; padding: 5px;">5</td> <td style="border: 1px solid black; padding: 5px;">B</td> </tr> <tr> <td style="border: 1px solid black; padding: 5px;">6</td> <td style="border: 1px solid black; padding: 5px;">*Z</td> <td style="border: 1px solid black; padding: 5px;">6</td> <td style="border: 1px solid black; padding: 5px;">*B</td> </tr> <tr> <td style="border: 1px solid black; padding: 5px;">7</td> <td style="border: 1px solid black; padding: 5px;">0V</td> <td style="border: 1px solid black; padding: 5px;">7</td> <td style="border: 1px solid black; padding: 5px;">Z</td> </tr> <tr> <td style="border: 1px solid black; padding: 5px;">8</td> <td style="border: 1px solid black; padding: 5px;">+5V</td> <td style="border: 1px solid black; padding: 5px;">8</td> <td style="border: 1px solid black; padding: 5px;">*Z</td> </tr> <tr> <td style="border: 1px solid black; padding: 5px;">9</td> <td style="border: 1px solid black; padding: 5px;">0V</td> <td></td> <td></td> </tr> </table>	D-sub9pin Female (Scale side)		Mini-Din8pin Male (LT30 side)		Pin No.	Signal	Pin No.	Signal	1	A	1	+5V	2	*A	2	0V	3	B	3	A	4	*B	4	*A	5	Z	5	B	6	*Z	6	*B	7	0V	7	Z	8	+5V	8	*Z	9	0V		
D-sub9pin Female (Scale side)		Mini-Din8pin Male (LT30 side)																																											
Pin No.	Signal	Pin No.	Signal																																										
1	A	1	+5V																																										
2	*A	2	0V																																										
3	B	3	A																																										
4	*B	4	*A																																										
5	Z	5	B																																										
6	*Z	6	*B																																										
7	0V	7	Z																																										
8	+5V	8	*Z																																										
9	0V																																												
Corresponding scale	GB-ER, PL20C, SJ700A																																												
Corresponding I/F	LT30 series, MG20-DK Note: Counting number must be 6 digits or less. Please make sure combination of input resolution and measuring length.																																												

## 5. Dimensions



Unit: mm