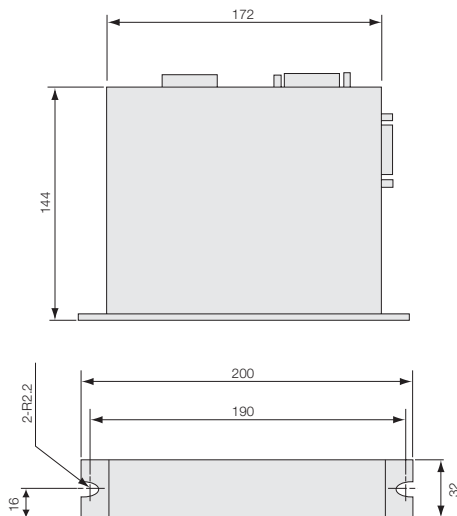


● **BD95-T10,T13,T14,T15,T16,T17commonness**



Unit: mm

**Main specifications**

Model	BD95-T13	BD95-T14	BD95-T15	BD95-T16	BD95-T10	BD95-T17
Resolution (selectable)	34.5 nm (4divisions) or 17.2nm (8 divisions) 100 nm or 50 nm during pitchcompensation		17.2 nm (8divisions) or 8.6 nm(16 divisions) 100 nm, 50nm, or 10 nm during pitch compensation		8.6 nm (16divisions) or 4.3 nm(32 divisions) 100 nm, 50nm, or 5 nm during pitch compensation	
Max. response speed	400 mm/s (with 4 divisions) 275 mm/s (with 8 divisions)		275 mm/s (with 8 divisions) 120 mm/s (with 16 divisions)		120 mm/s (with 16 divisions) 60 mm/s (with 32 divisions)	
Output signal	AB quadrature 1 with / without pitch compensation (compliant with EIA-422) AB quadrature 2 without pitch compensation (compliant with EIA-422) Alarm (compliant with EIA-422) (Switching between automatic reset and holding is possible) LASERSCALE signal (SIN/COS) 32-bit binary data (-T14, -T16 only)					
Alarm	Max. response speed exceeded Low laser signal level(cable broken or disconnected) LEDs (Turn on independently for speed alarm and level alarm) Output signal: Output when either a speed or level alarm occurs. Switching between automatic reset and holding is possible					
Pitch compensation function	AB quadrature 1 only A round-off error of 1 resolution occurs.					
Input signal compensation (On/Off switching is possible)	DC offset, Amplitude level, Phase. Frequencies allowing compensation update: Input signals of 180 kHz or less					
Power supply	DC + 24V ± 1V					
Consumption current (when scale is connected)	400mA (maximum)					
Operating temperature	0°C to 50°C / 32° F to 122°F					
Storage temperature	-10°C to 60°C / 14° F to 140°F					
Dimensions	172 (W)x144(D)x32(H) mm/6.77"(W)x5.66"(D)x1.25"(H)					
Weight	Approx. 0.8 kg/Approx.1.76lbs					